

EXPRESS LIMITED WARRANTY

Go-Go Babyz Corporation ("Go-Go Babyz") warrants this product to be free from defects in materials and workmanship for a period of one year from the date of purchase. Go-Go Babyz will repair or replace, at its sole option, the defective product within that one-year time period.

This express limited warranty does not cover:

- (1) Pick-up, delivery, or freight charges.
- (2) Corrosion caused by improper storage or failure to reasonably protect the product from salt water and adverse conditions.
- (3) Deterioration due to lack of maintenance and cleaning as specified in the product instructions.

Go-Go Babyz SHALL NOT BE LIABLE FOR ANY INCIDENTAL OR CONSEQUENTIAL DAMAGES ARISING FROM BREACH OF ANY EXPRESS OR IMPLIED WARRANTY ON THIS PRODUCT. ANY IMPLIED WARRANTY, INCLUDING IMPLIED WARRANTIES OF MERCHANTABILITY AND FITNESS FOR A PARTICULAR PURPOSE, IS LIMITED TO THE DURATION OF THE EXPRESS, LIMITED WARRANTY (ONE-YEAR FROM THE DATE OF PURCHASE).

Under no circumstance shall any liability of Go-Go Babyz under this Express Limited Warranty, or otherwise, exceed the price of the defective product or parts.

Note: Some States do not allow the exclusion or limitation on incidental or consequential damages, so the above limitation may not apply to you. Some states do not allow limitations on how long an implied warranty lasts, so the above limitation may not apply to you. This Express Limited Warranty gives you specific legal rights, and you may have other rights, which vary from State to State.

CONTACT GO-GO BABYZ CUSTOMER SERVICE FOR INFORMATION AND ALL RETURNS:

Go-Go Babyz Returns
3530 Charter Park Drive
San Jose, CA 95136
408.360.0653

www.gogobabyz.com

GOGO KIDZ® TRAVELMATE®

INSTRUCTIONS FOR USE

MODEL QRKIDZ



SAFETY

Read these instructions carefully before use and keep them for future reference. Your child's safety may be affected if you do not follow these instructions.

- ⚠ WARNING:** AVOID SERIOUS INJURY FROM FALLING OR SLIDING OUT. ALWAYS USE CAR SEAT MANUFACTURERS HARNESS TO RESTRAIN CHILD WHEN IN USE.
- ⚠ WARNING:** NEVER LEAVE CHILD UNATTENDED.
- ⚠ WARNING:** INTENDED FOR CHILDREN 3 MONTHS OR OLDER AND UP TO A MAXIMUM OF 20 KG (44 POUNDS).
- ⚠ WARNING:** DO NOT LEAVE THE GOGO KIDZ TRAVELMATE® ATTACHED TO A CAR SEAT WHILE DRIVING IN AN AUTOMOBILE OR ON THE AIRPLANE.
- ⚠ WARNING:** NEVER USE THE GOGO KIDZ TRAVELMATE® ON STAIRWAYS OR ESCALATORS.
- ⚠ WARNING:** ANY LOAD OTHER THAN THE GO-GO BABYZ HANDLE POUCH AFFECTS THE STABILITY OF GOGO KIDZ TRAVELMATE®.
- ⚠ WARNING:** THIS PRODUCT IS NOT SUITABLE FOR RUNNING OR SKATING,

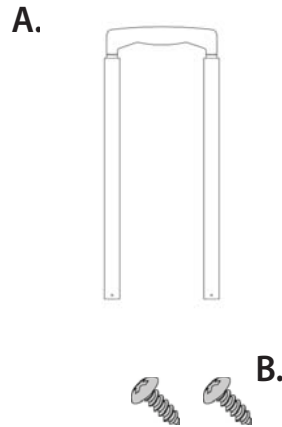
We wish you many happy travels with your gogo Kidz Travelmate! If you have a problem with your Go-Go Babyz product, please contact customer service for all warranty information. You may also visit our web site: www.gogobabyz.com. We offer helpful information regarding assembly and use of the gogo Kidz Travelmate®. You may also view helpful instruction videos from our site or visit www.youtube.com/user/GoGoBabyz

CONTENTS

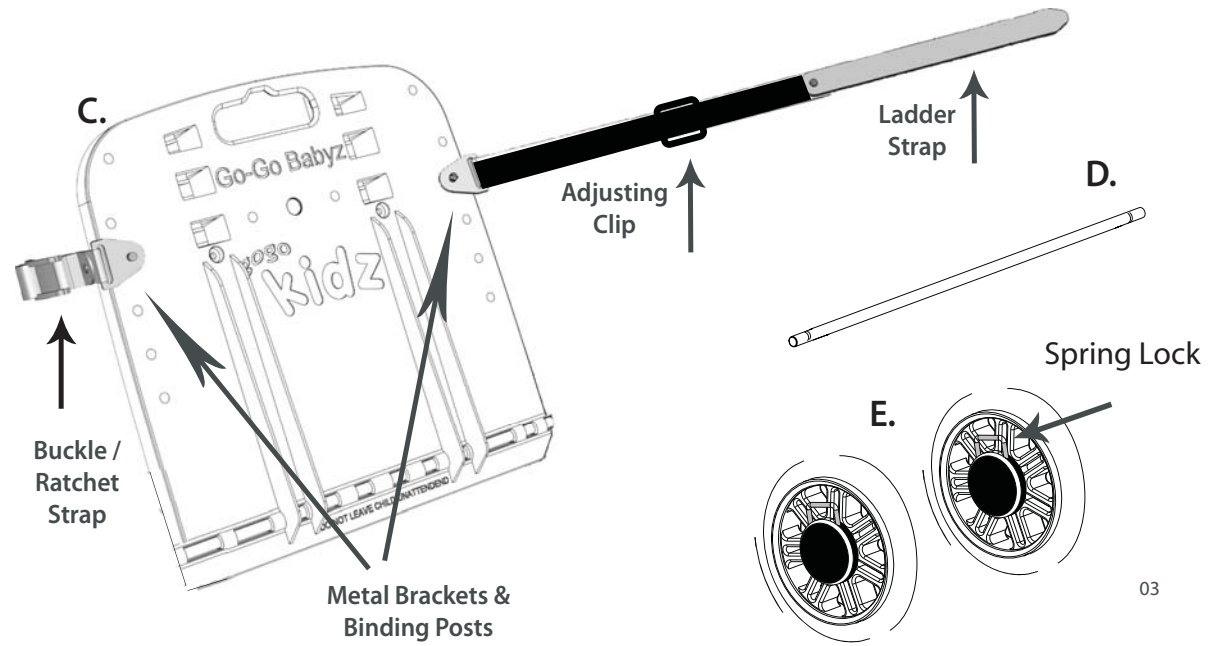
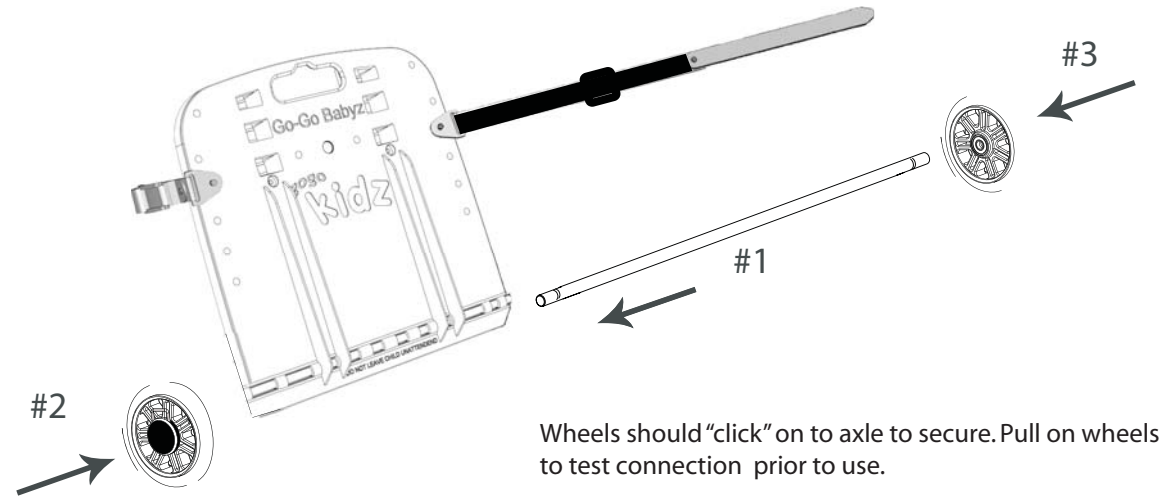
PARTS.....	3
AXLE & WHEELS ASSEMBLY.....	4
HANDLE ASSEMBLY.....	4
ATTACHING TO YOUR CAR SEAT.....	5
QUICK RELEASE STRAP	6
USING THE RATCHET	
RELEASING THE STRAP	
ADJUSTING THE STRAP LENGTH	
ADJUSTING THE STRAP HEIGHT	

PARTS

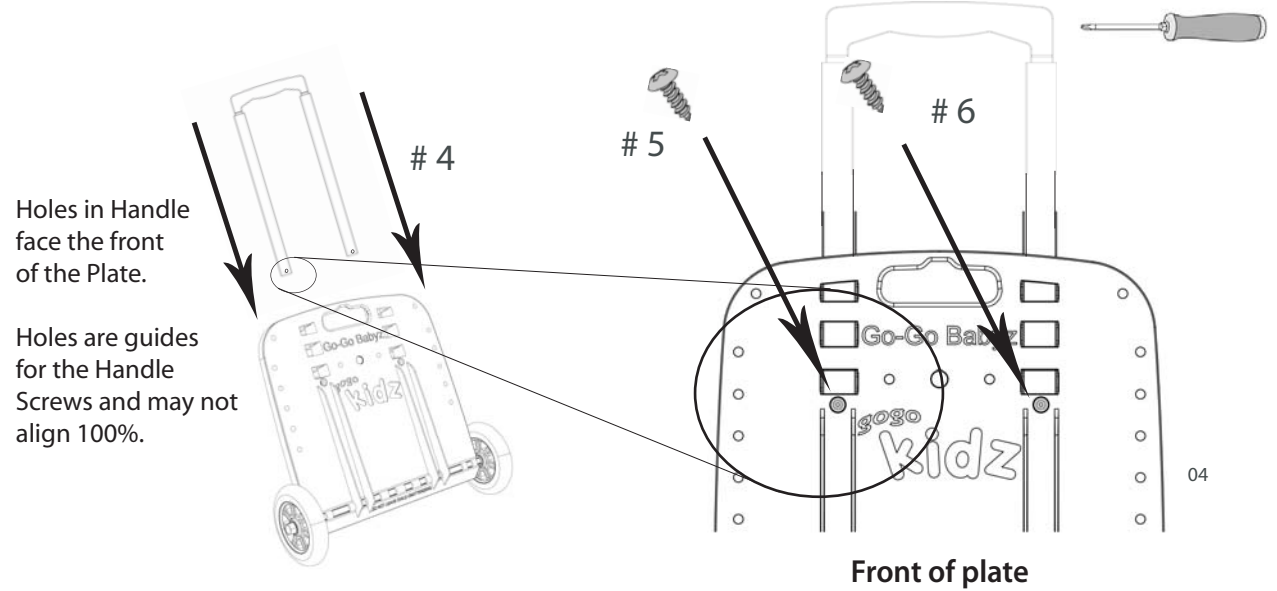
- A. Handle (1)
- B. Handle Screws (2)
- C. Plate (1) with Quick Release Strap Attached
- D. Axle (1)
- E. Wheels (2) with Quick Release Spring Locks (2)



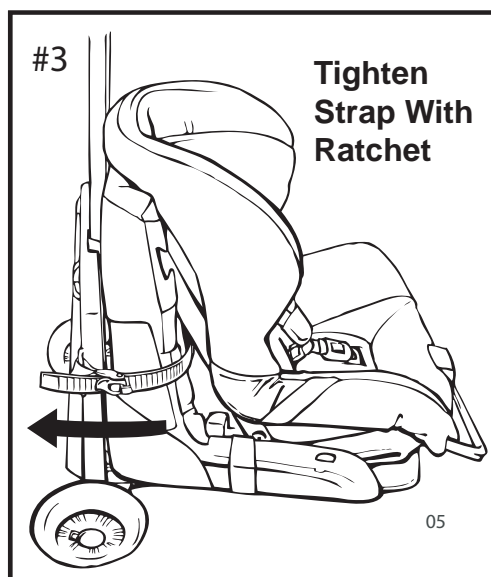
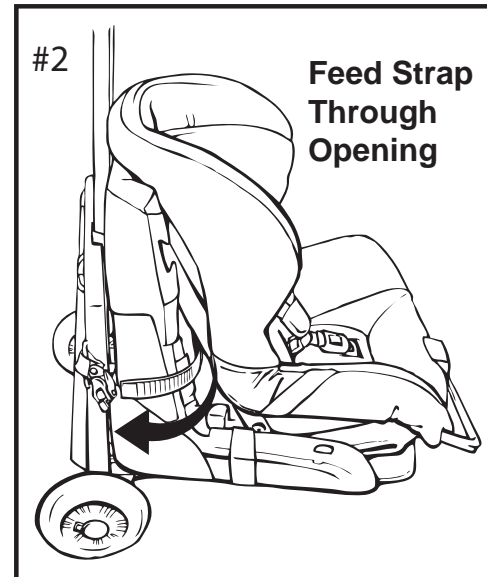
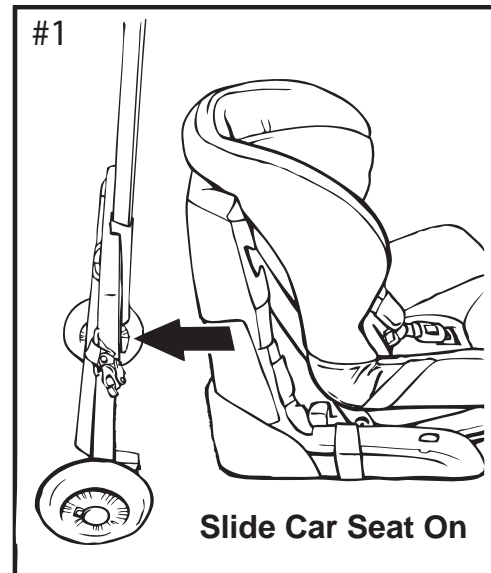
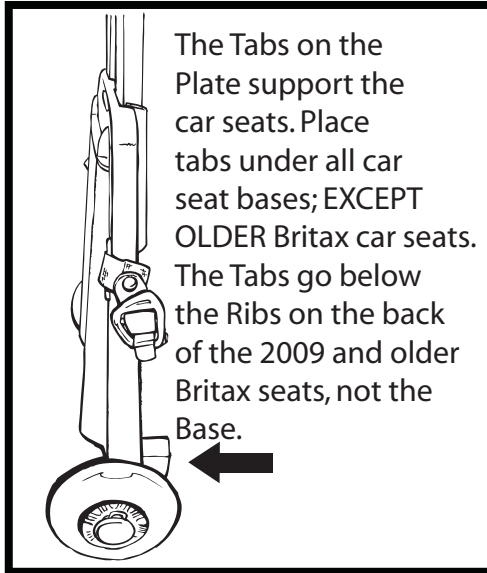
AXLE & WHEELS ASSEMBLY



HANDLE ASSEMBLY

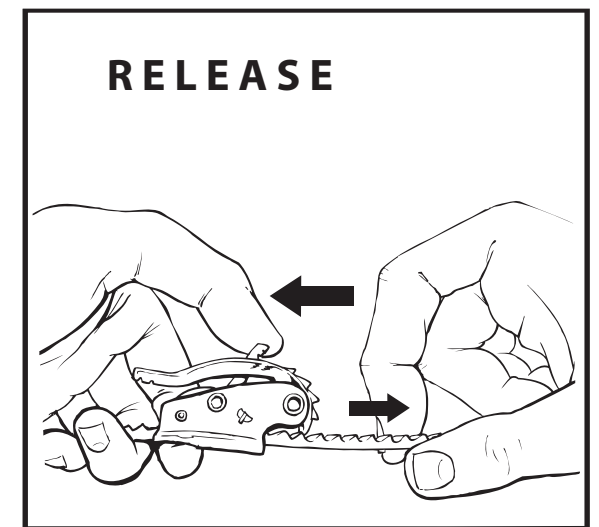
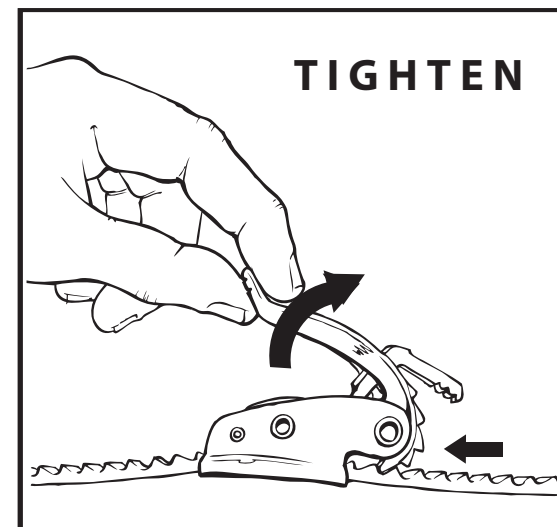


ATTACHING TO YOUR CAR SEAT



Recline the car seat for ease of feeding the strap and best child comfort.

QUICK RELEASE STRAP



The Quick Release Strap is pre-assembled onto the Plate of the gogo Kidz Travelmate for use with most car seats. You may need to make adjustments in the length of the strap for proper tension or the height of the strap on the Plate to align with car seat belt opening.

TO LENGTHEN OR SHORTEN THE STRAP: Slide the adjusting clip.

TO ADJUST THE STRAP HEIGHT: Remove the metal brackets and binding posts that attach the strap to the Plate with a screwdriver. Reposition the bracket in holes on the sides of the Plate. Make sure you position both metal brackets in same hole on each side (ex: left side is fourth hole from the bottom and right side is fourth hole from the bottom).

