

Infant Cruizer Toddler Adapter Safety, Assembly & Operating Instructions

Model #IC_TOD



Go-Go Babyz Corporation

Thank you!

Thank you for your recent order. We wish you many happy travels with your new Infant Cruizer for Toddlers!

Our goal at Go-Go Babyz is to offer innovative, high quality and safe products to make life easier when you and your baby are “on the go.”

We welcome suggestions and comments. Go-Go Babyz is dedicated to making our current products and features easier to use. Please send ideas for new features or general feedback to us at info@gogobabyz.com.

In addition, we have created a photo gallery on our web site for families, like us, using Go-Go Babyz products. Please feel free to email or mail us any photos of you and your children using our products and we would be happy to share them on our Family Photo Gallery page.

Thank you again for your purchase. We appreciate your business.

Sincerely,

The Go-Go Babyz Family

Toll Free: 888.686.2552

www.gogobabyz.com




Table of Contents

Safety	4
QUICK ASSEMBLY GUIDE	5
Before Assembling the Toddler Adapter	6
General Instructions for Assembling	7
Assembling the Toddler Adapter.....	8
Attaching & Removing Your Convertible Car Seat	10
Registration & Maintenance	11
Using Your Infant Cruizer.....	12
Express Limited Warranty	13

DO NOT USE the Infant Cruiser until you read and understand these instructions. Your child's safety depends on you reading and following these instructions.

 **WARNING:** NEVER LEAVE CHILD UNATTENDED.


 **WARNING:** AVOID SERIOUS INJURY FROM FALLING OR SLIDING OUT. ALWAYS USE THE HARNESS SYSTEM PROVIDED WITH YOUR INFANT OR TODDLER SEAT AS INSTRUCTED BY THE MANUFACTURER.

 **WARNING:** TO AVOID INJURY ALWAYS USE BOTH THE FRONT AND THE REAR BRAKES WHEN INFANT CRUIZER IS PARKED ON A HILL AND POINT INFANT CRUIZER FACING DOWNHILL. The Infant Cruiser has greater braking power in the forward direction. You can use the "quick stop" rear brakes if you are on a flat surface.

 **WARNING:** IF YOU PARK ON A HILL, DO NOT LEAVE YOUR HAND OFF THE INFANT CRUIZER.

 **WARNING:** THIS IS NOT A JOGGING INFANT CRUIZER. DO NOT USE THIS PRODUCT WHILE RUNNING, JOGGING, IN-LINE SKATING OR SIMILAR ACTIVITIES.

 **WARNING:** NO PARCEL BAGS OR RACKS ARE PROVIDED WITH THE PRODUCT. Infant Cruiser may become unstable if any parcel or racks, not approved by the manufacturer are used.

 **WARNING:** DO NOT EXCEED WEIGHT LIMIT OF THE INFANT OR TODDLER SEAT SET BY THE MANUFACTURER. Maximum weight limit of the Infant Cruiser is 45 pounds.

Quick Assembly Guide:

1 Remove infant seat Adapters from the bottom of the Infant Cruiser base.

2 Snap Toddler Adapter in place.

3 Screw down Toddler Adapter onto Infant Cruiser base with the four screws included in the box.

4 Remove 2 screws, ladder strap and buckle strap from bag and attach in the rear (figure 1).



figure 1

Using with a Convertible/Toddler Car Seat:

5 Place toddler seat on the base facing forward. (figure 2)

6 Thread ladder straps through front and rear openings of the toddler seat.

7 Tighten straps with ratchet buckle until seat does not move. Adjust strap length as needed.

#8 Removal: Pull on the ratchet release mechanism with your thumb and pull strap out from your Convertible car seat.(figure 3)
Repeat for both straps.



figure 2



figure 3

Before Assembling

PLEASE READ THOROUGHLY PRIOR TO ASSEMBLING THE TODDLER ADAPTER TO YOUR INFANT CRUIZER.

REPORT SHIPPING DAMAGE IMMEDIATELY. IF YOU HAVE RECEIVED THE PRODUCT IN THE MAIL AND THE BOX APPEARS DAMAGED, PLEASE INSPECT IT AND REPORT ANY DAMAGE TO GO-GO BABYZ BEFORE THROWING AWAY YOUR BOX. GO-GO BABYZ WILL FILE A CLAIM DIRECTLY WITH UPS OR OTHER FREIGHT CARRIERS AND WILL REPLACE THE PRODUCT AT NO EXTRA COST. PLEASE CALL A GO-GO BABYZ CUSTOMER REPRESENTATIVE TOLL FREE AT 888.686.2552 OR LOCAL 408.360.0653.

CUSTOMER SERVICE AT GO-GO BABYZ CAN USUALLY RESOLVE ANY PROBLEM OR ANSWER ANY QUESTION YOU HAVE WITH ONE PHONE CALL. PLEASE CALL US TOLL FREE AT 888.686.2552 OR LOCAL 408.360.0653 IF YOU HAVE ANY PROBLEMS WITH THE INFANT CRUIZER.

Assembly Instructions

GENERAL INSTRUCTIONS FOR ASSEMBLING THE TODDLER ADAPTER ONTO YOUR INFANT CRUIZER. BEFORE ASSEMBLY, PLEASE TAKE A FEW MINUTES TO READ THE SAFETY WARNINGS AND OPERATING INSTRUCTIONS.

Parts Included In The Box:

1 Toddler Adapter (A) with front buckle strap and adjustable ladder strap preassembled.

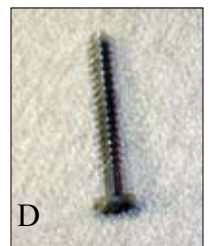
1 Short Adjustable Ladder Strap (B)

1 Buckle Strap (C)

4 Screws-one shown (D)
(to attach the Toddler Adapter to the base of the Infant Cruiser)

2 Screws-shown with ladder & buckle straps (B&C)
(to attach rear adjustable ladder strap and rear buckle strap)

2 Long Spacers and 2 Long Screws
(for use with the Triumph car seat only -not shown)



Assembly Instructions

BEGIN BY REMOVING YOUR INFANT SEAT AdapterS

1. In order to attach the Toddler Adapter onto your Infant Cruiser, you must first remove the Infant Seat Adapters from the base of the Infant Cruiser.

Locate your Infant Seat Adapters by removing your infant car seat from the Infant Cruiser and extending the handle into the upright, locked position.

You will have 4 or 8 Phillips screws (dependent upon which adapter you have) which will need to be removed. Once the screws are removed, you can take the Infant Seat Adapters off the base of the Infant Cruiser and store for future use.

WIPE THE BASE OF THE INFANT CRUIZER CLEAN

2. Take a rag and wipe your base clean prior to inserting your toddler Adapter.

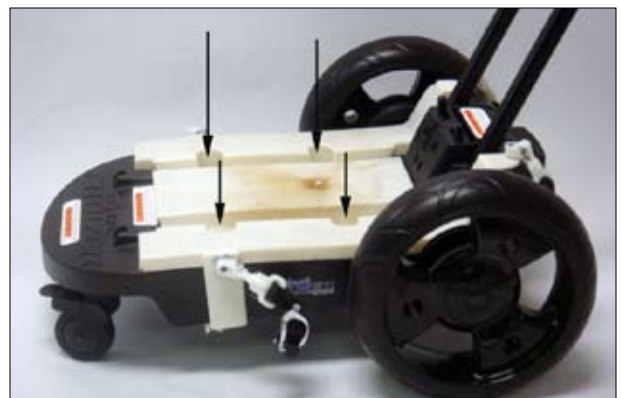
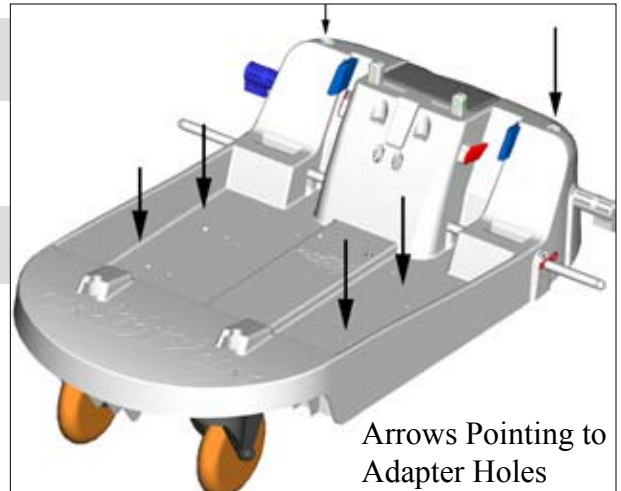
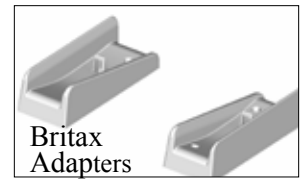
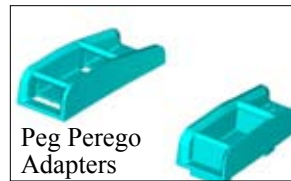
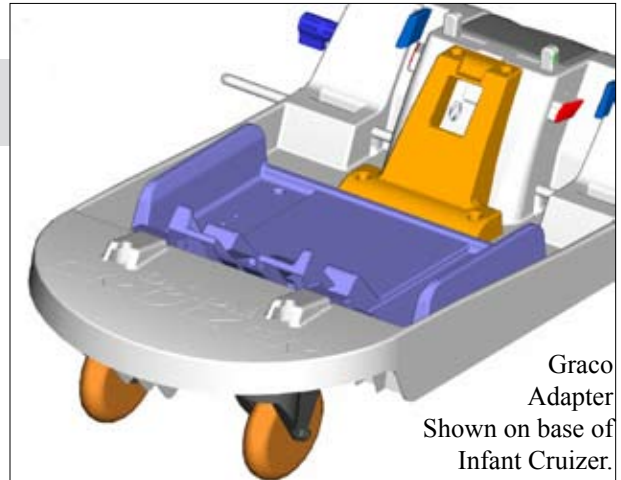
IDENTIFY WHERE THE SCREW HOLES ARE ON YOUR TODDLER Adapter

3. Find the holes on the Toddler Adapter. You will have **2** holes on the shoulder and **4** holes on the bottom.

Place the Toddler Adapter onto the base of the Infant Cruiser (it will snap into place).

Use a Phillips screwdriver to insert the 4 screws through the bottom of the Toddler Adapter down to the base of the Infant Cruiser.

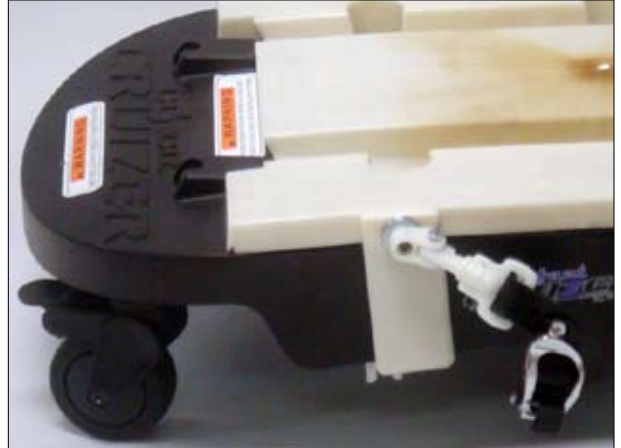
Next remove the rear ladder strap, buckle strap and screws from the bag and place one of them into the matching holes on the shoulder of the Adapter. (see top left image on page 9) Make sure the front and back ladder straps are on one side (left or right) and both buckle straps are on the other side before assembling. Use the remaining screws to attach both the ladder strap and the buckle strap to the Adapter and the main body of the Infant Cruiser.



Below shows: the toddler adapter, rear buckle & ladder straps attached to Infant Cruiser.



Below shows one of the front straps attached to the Toddler Adapter.



Below shows the front strap going through the car seat to stabilize the seat on the Infant Cruiser. The picture on the right shows it secured with the buckle in the front.



To the right: both the front and back straps going through the car seat to secure it to the Infant Cruiser base.

SPECIAL NOTE FOR TRIUMPH CAR SEAT USERS: Please remove the front straps and replace spacers with the longer spacers, which are included in the box.



Attaching & Removing Your Convertible Car Seat

SET YOUR CAR SEAT ONTO THE INFANT CRUIZER

Extend the Infant Cruiser handle into the upright, locked position.

Set your Convertible Car Seat onto the Infant Cruiser facing forward.

Thread the rear *adjustable* ladder strap (located near the handle of the Infant Cruiser) through the back of the Convertible Car Seat. (Just like you would thread a car seat belt when attaching in your car forward facing) Insert adjustable ladder strap into buckle on other side of your Infant Cruiser.

Adjust the length of the ladder strap as needed in order to reach the buckle or take up slack.

DO NOT TIGHTEN UNTIL YOU HAVE THREADED YOUR FRONT STRAP THROUGH THE FRONT OF YOUR CAR SEAT.

Locate the front strap and thread through the front of your Convertible Car Seat. (Just like you would thread a car seat belt when attaching in your car rear facing). Insert ladder strap into buckle.

Use the buckle like a ratchet to tighten the strap. Adjust the length of the ladder strap as needed to reach buckle or take up slack.

DO NOT OVERTIGHTEN

TO REMOVE YOUR CAR SEAT FROM THE INFANT CRUIZER

Pull on the ratchet release mechanism with your thumb and pull strap out from your Convertible car seat. (bottom figure) Repeat for both straps.



Straps/Buckles



PLEASE REGISTER

By registering your product, Go-Go Babyz will automatically notify you if there is any unforeseen product recall and we will keep your name and date of purchase on file for referencing your warranty information.

CARE & MAINTENANCE:

Periodically check for worn parts or loose screws. Repair or replace damaged parts immediately. Periodically check that wheels are secure by pulling on them. Do not store outside.

How to Properly Use the Infant Cruiser

1. TO OPEN INFANT CRUIZER

Step 1. Push Button on top of handle (*picture A*) and extend handle slightly to remove locking disks from the docking area.

Step 2. Pull handle up and back until it goes behind the "spring latch" shown in *Picture B*.

2. TO OPERATE BRAKE SYSTEM

⚠ WARNING: ALWAYS USE THE REAR BRAKE WHEN INFANT CRUIZER IS PARKED, EVEN ON FLAT SURFACES.

⚠ WARNING: IF PARKED ON A HILL, ALWAYS ENGAGE FRONT AND REAR BRAKES AND POINT INFANT CRUIZER FACING "DOWNHILL."

THE INFANT CRUIZER HAS MORE BRAKING POWER IN THE FORWARD DIRECTION THAN THE REAR DIRECTION.

TO LOCK FRONT TOE BRAKES:

Pull Infant Cruiser backwards a little bit to expose caster brake pedals in the front of the Infant Cruiser and step on brake pedals until they remain in the locked position as shown in *Picture C*.

TO LOCK REAR BRAKE:

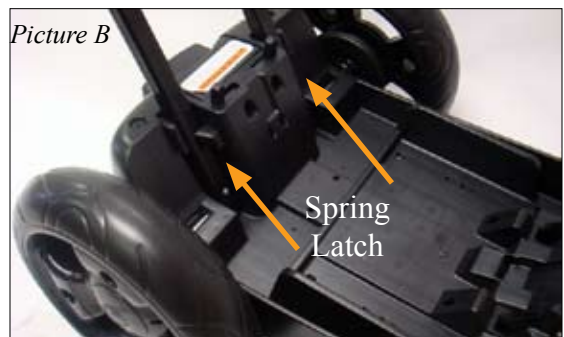
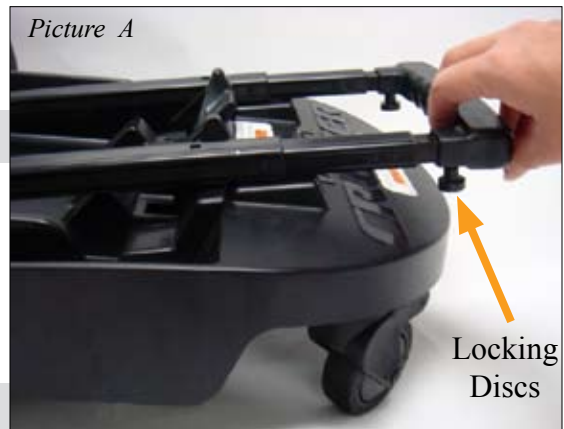
Push brake pedal down at any location with your foot until it locks in place, as shown in *Picture D*.

TO UNLOCK FRONT TOE BRAKES:

Release the front brakes by pulling up the brake pedals with your hand.

TO UNLOCK THE REAR BRAKE:

Release the rear brake by pushing up on the brake pedal with your toe.



EXPRESS LIMITED WARRANTY

Go-Go Babyz Corporation (“Go-Go Babyz”) warrants this product to be free from defects in materials and workmanship for a period of one year from the date of purchase. Go-Go Babyz will repair or replace, at its sole option, the defective product within that one-year time period.

If you have a problem with your Go-Go Babyz product or are not satisfied with it, please contact Go-Go Babyz Customer Service at 1.888.686.2552.

This express limited warranty does not cover:

- (1) Pick-up, delivery, or freight charges.
- (2) Corrosion caused by improper storage or failure to reasonably protect the product from salt water and adverse conditions.
- (3) Deterioration due to lack of maintenance and cleaning as specified in the product instructions.

Go-Go Babyz SHALL NOT BE LIABLE FOR ANY INCIDENTAL OR CONSEQUENTIAL DAMAGES ARISING FROM BREACH OF ANY EXPRESS OR IMPLIED WARRANTY ON THIS PRODUCT. ANY IMPLIED WARRANTY, INCLUDING IMPLIED WARRANTIES OF MERCHANTABILITY AND FITNESS FOR A PARTICULAR PURPOSE, IS LIMITED TO THE DURATION OF THE EXPRESS, LIMITED WARRANTY (ONE-YEAR FROM THE DATE OF PURCHASE).

Under no circumstance shall any liability of Go-Go Babyz under this Express Limited Warranty, or otherwise, exceed the price of the defective product or parts.

Note: Some states do not allow the exclusion or limitation on incidental or consequential damages, so the above limitation may not apply to you. Some states do not allow limitations on how long an implied warranty lasts, so the above limitation may not apply to you.

This Express Limited Warranty gives you specific legal rights, and you may have other rights, which vary from state to state.

CONTACT GO-GO BABYZ' CUSTOMER SERVICE FOR INFORMATION AND ALL RETURNS:

Go-Go Babyz Returns
7013 Realm Drive, Suite C
San Jose, CA 95119
408.360.0653